

GENERAL STRUCTURAL ITEMS

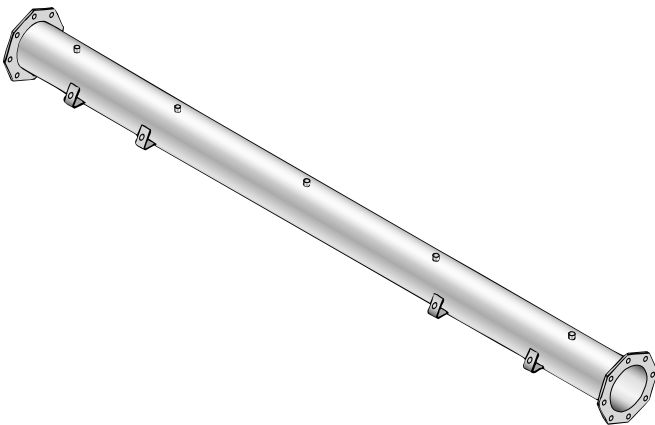
**Span Pipes**

NI Part #	Description
933XX-	6-5/8" Intermediate Span Pipes, Flange x Flange
933XX-	6-5/8" End Span Pipes, Flange x Tower End

**NI can custom manufacture span pipes in a variety of sizes.**

When ordering, call NI with your machine model number, year, and pipe location.

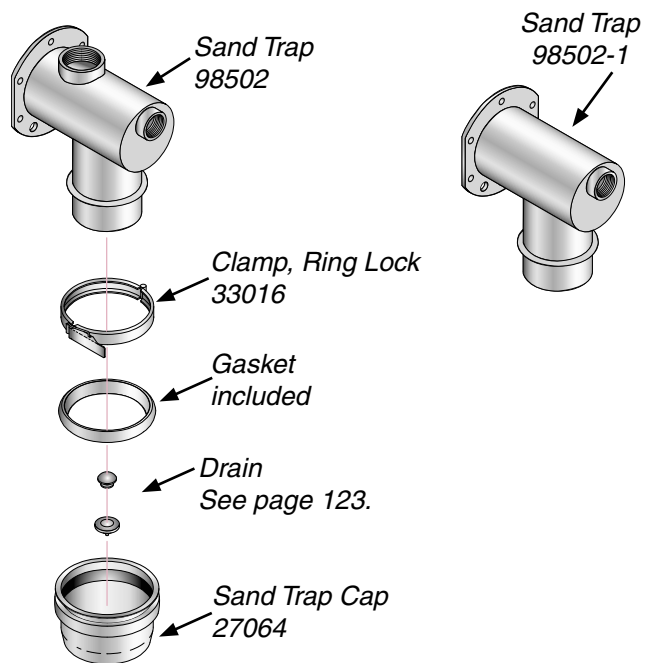
In some cases, NI will require that you provide dimensions or a sample pipe.



**Various structural items can be fabricated. Contact us with your requirements.**

**Sand Traps**

NI Part #	Description
98502	Lindsay Type Sand Trap w/ 3" coupler top, w/ 2" coupler on end
98502-1	Lindsay Type Sand Trap w/ 2" coupler on end
27064	Cap, Sand Trap, 6" w/ Drain Hole
33016	Clamp, Ring Lock, 6", Plated
890102	Plug, Valley Type Sand Trap, 4", w/ 1" F NPT Outlet w/ 1" x 3/4" Bushing



**Automatic Flush Sand Traps**

NI Part #	Description
98504	Sand Trap, Automatic Flush

Electrically controlled sand trap allows opening and closing of valve at predetermined times. Dump excess sand periodically or use it to flood field corners for increased yield.

