

WHEEL GEARBOXES

Omni Wheel Gearboxes Specifications
Worm Gear Wheel Drives

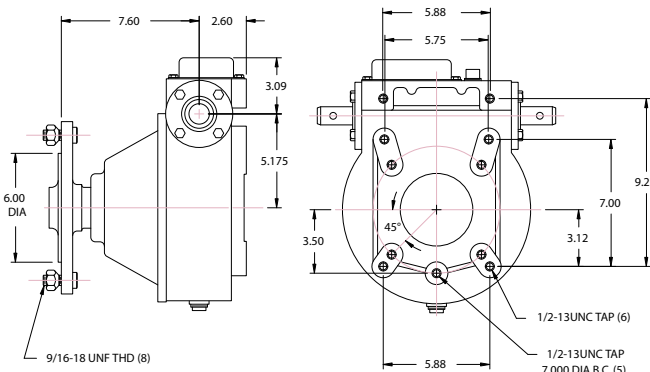


Standard

610502

Specifications for Standard Model
— NI # 610502

Category	Description
Torque Capacity	70,000 lb.-in. (7,909 Nm)
Ratio	50:1 (others available)
Shaft Size	2.25" (57 mm)
Weight	115 lbs. (52.2 kg)
Oil Capacity	126 fl. oz. (3.7 L)
Expansion Chamber	Bellows Type
Additional Features	
• Multiple mount pattern fits most pivots.	



NI Part #	Description
610512	Gearbox, G2, Non-Towable, Dual Input, 50:1, 2.25" Output, Larger Bearings
610502-HYD	Gearbox, NI, Non-Towable, Dual Input, 50:1, 2.25" Output, w/ Two-Bolt Hydraulic Adapter

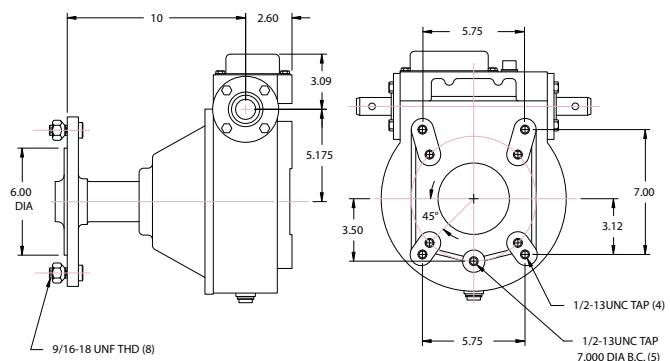


Valley Type

610504

Specifications for Valley Type
— NI # 610504

Category	Description
Torque Capacity	70,000 lb.-in. (7,909 Nm)
Ratio	52:1 (others available)
Shaft Size	2.25" (57 mm)
Weight	112 lbs. (50.8 kg)
Oil Capacity	126 fl. oz. (3.7 L)
Expansion Chamber	Bellows Type
Additional Features	
• Replaces Valley Drives.	
• 12 cubic inch expansion area.	
• Dual inputs for left or right mounting.	
• Class A hobbed and hardened steel worm.	



C