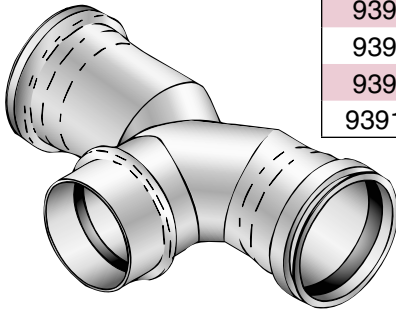


FITTINGS

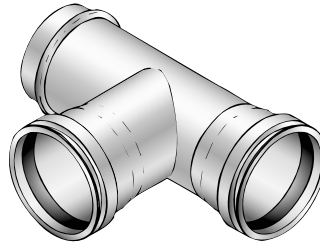
**Low Pressure Fittings, Ring Lock, Aluminum — Up to 45 psi (continued)**

**Graduated “Y” Tee, Aluminum, LP**



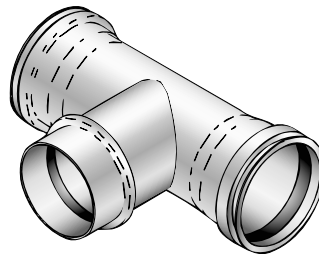
NI Part #	Size
93917	6" x 6" x 6"
93918	8" x 8" x 8"
93919	10" x 10" x 10"
939104	12" x 12" x 12"

**Line Tee, Aluminum, LP**



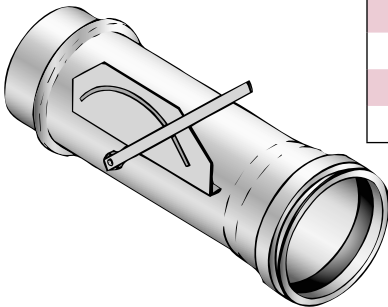
Part #	Size
93913	6" x 6" x 6"
93914	8" x 8" x 8"
93915	10" x 10" x 10"
93916	12" x 12" x 12"

**End Tee, Aluminum, LP**



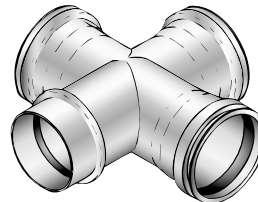
Part #	Size
93909	6" x 6" x 6"
93910	8" x 8" x 8"
93911	10" x 10" x 10"
93912	12" x 12" x 12"

**Line Valve, Aluminum, LP**



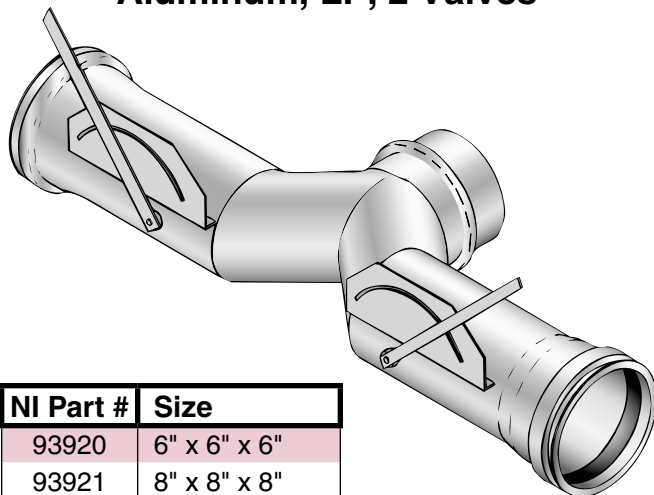
NI Part #	Size
966217	6"
966197	8"
966198	10"
966199	12"

**Cross, Aluminum, LP**



Part #	Size
43501	6" x 6" x 6" x 6"
43502	8" x 8" x 8" x 8"
43503	10" x 10" x 10" x 10"
43504	12" x 12" x 12" x 12"

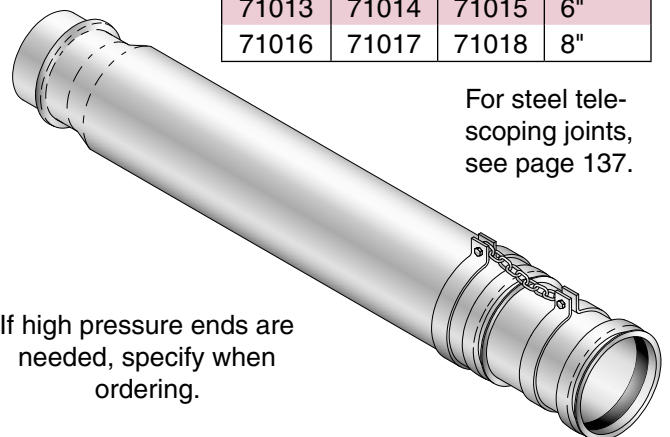
**Line Valve Tee, Graduated “Y”, Aluminum, LP, 2 Valves**



NI Part #	Size
93920	6" x 6" x 6"
93921	8" x 8" x 8"
93922	10" x 10" x 10"
939105	12" x 12" x 12"

**Telescoping Joint, Low Pressure, Aluminum**

Expands to:			Size
6 ft.	10 ft.	20 ft.	
71013	71014	71015	6"
71016	71017	71018	8"



If high pressure ends are needed, specify when ordering.

For steel telescoping joints, see page 137.

**G**