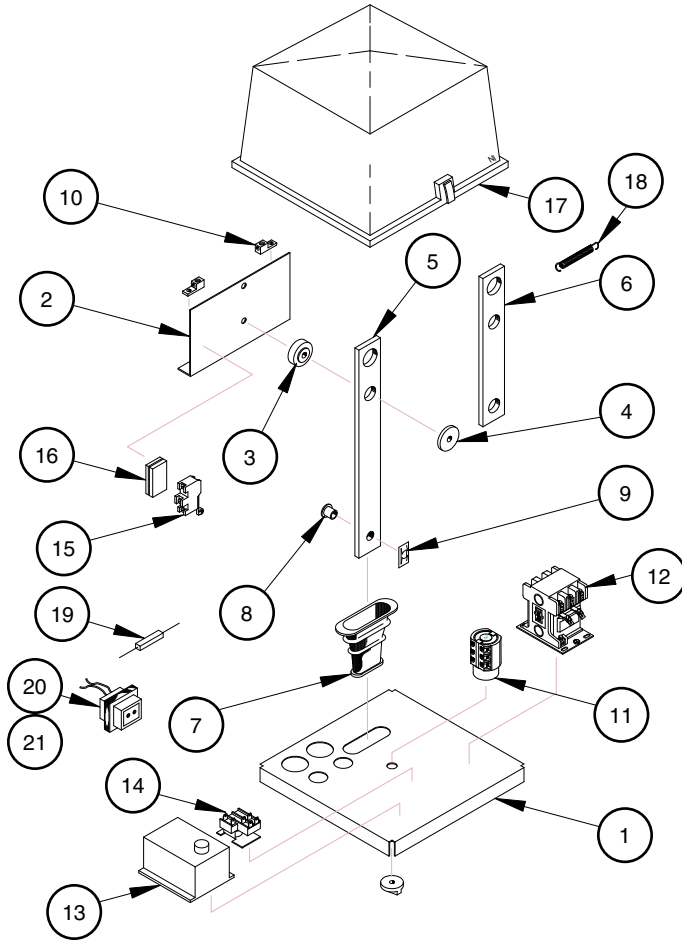


TOWER CONTROL BOX PARTS

NI Replacement Parts for:

Lockwood Type Tower Control Box



Item	Wire Alignment		Non-Wire Alignment		Description
	NI Part#	Qty	NI Part#	Qty	
1	16004	1	16003	1	Base
2	22821	1	22821	1	Bracket, Pendulum
3	24020	1	24020	1	Bushing, Shoulder
4	24019	1	24019	1	Bushing, Shoulder, Acetal
5	12065	1	-----	--	Arm, Pendulum Lever (wire)
6	-----	--	12066	1	Arm, Pendulum Lever (non-wire)
7	90613	1	90613	1	Boot, Pendulum
8	17005	1	17005	--	Bearing, Sintered
9	82003	1	82003	--	Clip, Retaining
10	77004	2	77004	2	Lug, Ground
11	93601	1	93601	1	Switch, Disconnect
12	40011	1	40011	1	Contact, 120V
13	94423	1	94423	1	Relay, Time Delay (next to last)
14	89624	1	89624	1	Relay, (next to last)
15	93658	1	93658	1	Switch
16	936115	1	936115	1	Mount, Switch Adjuster
17	67033	1	67033	1	Housing
18	-----	--	92616	1	Spring
19	89402	1	89402	1	Resistor, 50 Ohm
20	95607	1	95607	1	Transformer, 120/16VAC (used on standard spans)
21	95606	1	95606	1	Transformer, 120/24VAC (used on long spans)



**Also available:
Replacement parts for other
brands of tower control boxes.
Contact our sales department
for details.**