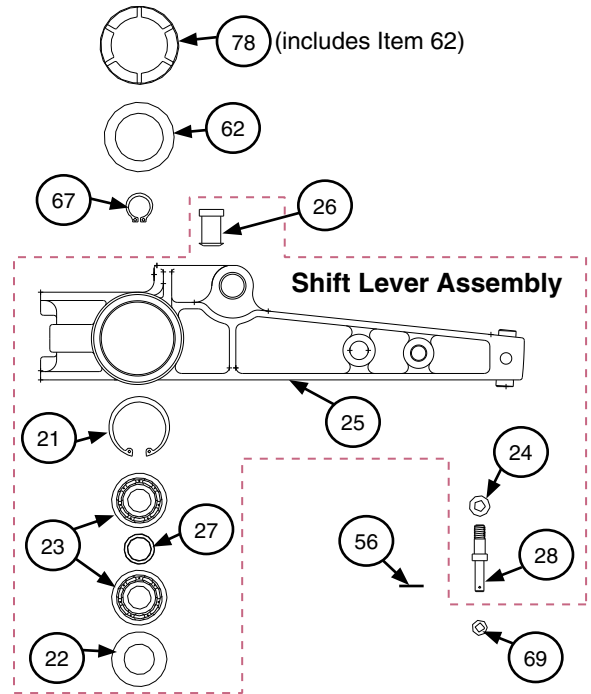


SPRINKLER PARTS

**Nelson SR100 End Gun Parts — 64001, 64009 (continued)**

Shift Lever Assembly			
Item	NI Part #	Qty	Description
21	89846	1	Ring, Retaining, -156 Basic Internal Coated
22	97212	1	Seal, Oil
23	17026	2	Bearing, Ball, 17 x 40 x 12 mm
24	97247	1	Washer, .312" Spring Lock
25	12006	1	Lever, Shift — SR100
26	14578	1	Bumper
27	91811	1	Spacer, Shift Lever — SR100
28	850XX	1	Pin, Shift, Hex Drive — SR100
	14585	1	Shift Lever Assembly



Trip Lever Assembly			
Item	NI Part #	Qty	Description
29	85018	1	Pin, Cotter, .062" x .50"
30	85019	1	Pin, Stop — SR100
31	91819	1	Spacer, Trip Lever — SR100
32	14579	1	Lever, Trip — SR100 18°, 21°, 24°
33	90004	1	Roller, Trip — SR100
34	92629	1	Follower, Trip Spring
35	91199	1	Seal, Oil
36	85022	1	Pin, Coiled Spring, .094" x .50"
37	17042	2	Bearing, Ball, 8 x 22 x 7 mm
38	97221	1	Washer, Spring Guide — SR100
39	97222	1	Washer, Trip Roller — SR100
40	650XX	1	Lever, Trip — SR100 43°
	14584	1	Trip Lever Assembly — SR100 18°, 21°, 24°
	145XX	1	Trip Lever Assembly — SR100 43°

