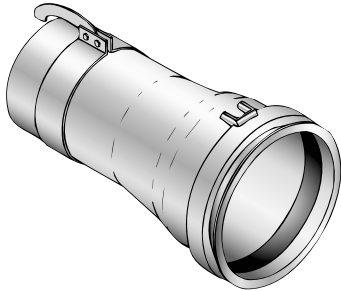


FITTINGS

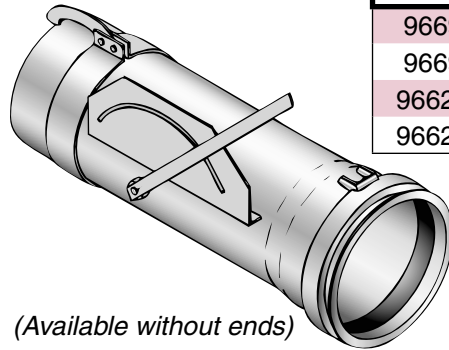
Low Pressure Fittings, Band & Hook, Aluminum – Up to 75 psi

Increaser, Aluminum B & H



NI Part #	Size
68815	4" x 6"
68816	6" x 8"
68817	8" x 10"
68818	10" x 12"

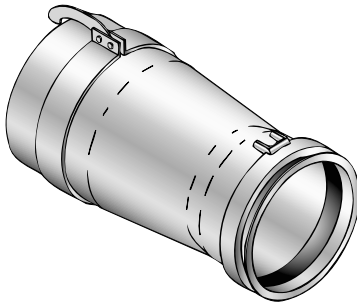
Line Valve, Aluminum B & H



NI Part #	Size
96695	6"
96697	8"
966238	10"
966239	12"

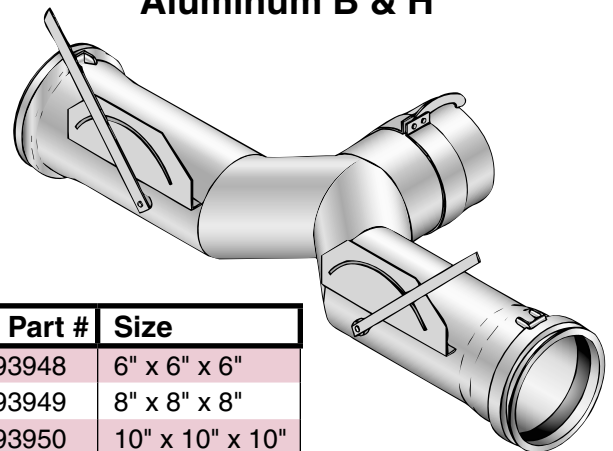
(Available without ends)

Reducer, Aluminum B & H



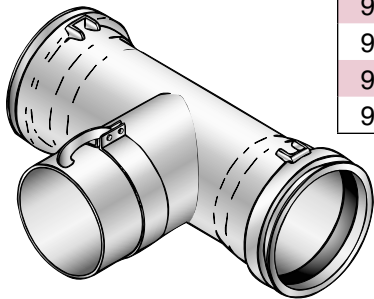
NI Part #	Size
89120	6" x 4"
89121	8" x 6"
89122	10" x 8"
89123	12" x 10"

Line Valve Tee, Graduated "Y", Aluminum B & H



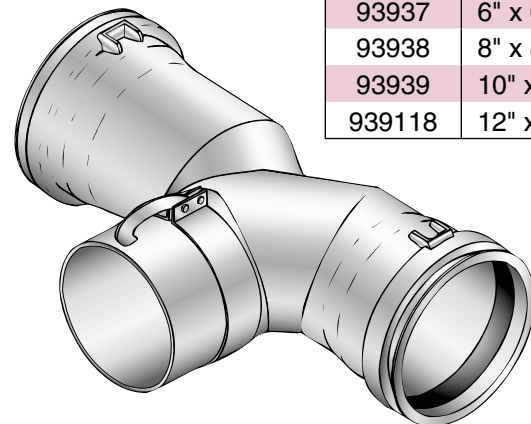
NI Part #	Size
93948	6" x 6" x 6"
93949	8" x 8" x 8"
93950	10" x 10" x 10"
939117	12" x 12" x 12"

End Tee, Aluminum B & H



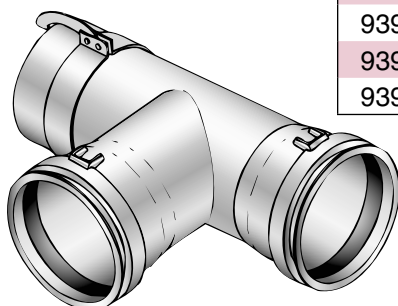
Part #	Size
93940	6" x 6" x 6"
93941	8" x 8" x 8"
93942	10" x 10" x 10"
93943	12" x 12" x 12"

Graduated "Y" Tee, Aluminum B & H



NI Part #	Size
93937	6" x 6" x 6"
93938	8" x 8" x 8"
93939	10" x 10" x 10"
939118	12" x 12" x 12"

Line Tee, Aluminum B & H



Part #	Size
93944	6" x 6" x 6"
93945	8" x 8" x 8"
93946	10" x 10" x 10"
93947	12" x 12" x 12"

G