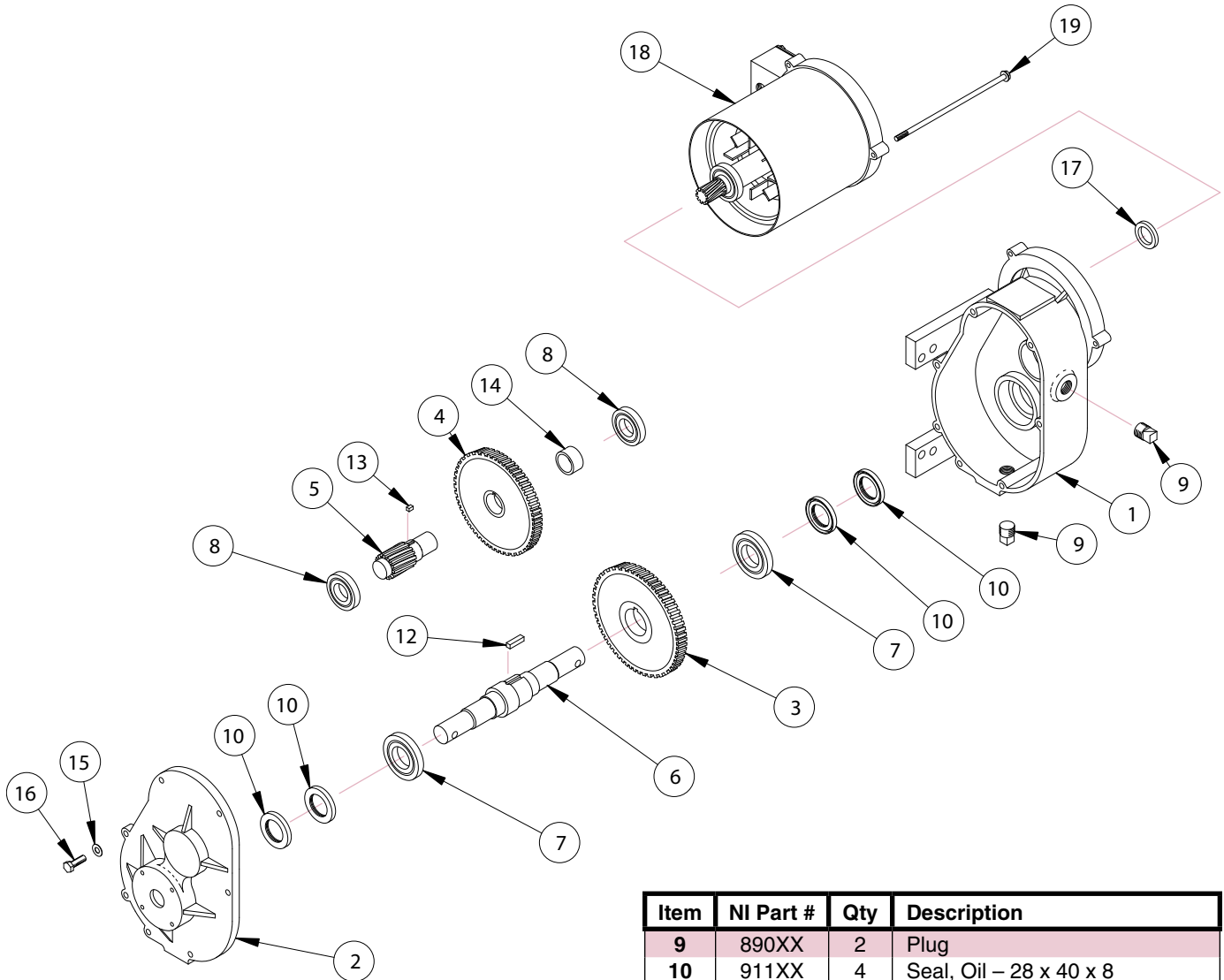


CENTER DRIVE PARTS

NI Replacement Parts for:

Omni Helical Center Drive — 62060, 62040, 62030, 62020



Item	NI Part #	Qty	Description
1	670XX	1	Housing
2	430XX	1	Cover
3	600XX	1	Gear, Low Speed, 65-Tooth for 62030
	600XX	1	Gear, Low Speed, 69-Tooth for 62040, 62020, and 62060
4	600XX	1	Gear, High Speed, 71-Tooth
5	902XX	1	Pinion, Low Speed, 16-Tooth for 62030
	902XX	1	Pinion, Low Speed, 12-Tooth for 62040, 62020, and 62060
6	902XX	1	Shaft, Low Speed
7	170XX	2	Bearing, Ball
8	170XX	2	Bearing, Ball

Item	NI Part #	Qty	Description
9	890XX	2	Plug
10	911XX	4	Seal, Oil – 28 x 40 x 8
11	850XX	2	Pin, Dowel – 5 x 20 (not illustrated)
12	720XX	1	Key – 8 x 7 x 23.5
13	720XX	1	Key – 6 x 6 x 12
14	918XX	1	Spacer
15	972XX	7	Flatwasher – M8
16	200XX	5	Bolt – MI x 1.25 x 30 (Gr. 8.8)
17	911XX	1	Seal, Oil – 25 x 35 x 7
18	790XX	1	Motor, 1 hp, 1800 RPM for 62030
	790XX	1	Motor, 3/4 hp, 1800 RPM for 62040
	790XX	1	Motor, 1-1/2 hp, 3600 RPM for 62020
	790XX	1	Motor, 1/2 hp, 1150 RPM for 62060
19	200XX	3	Hex Head Cap Screw