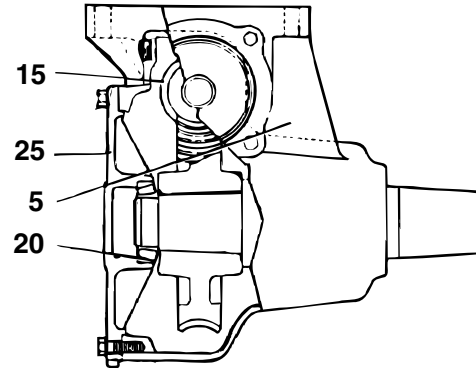
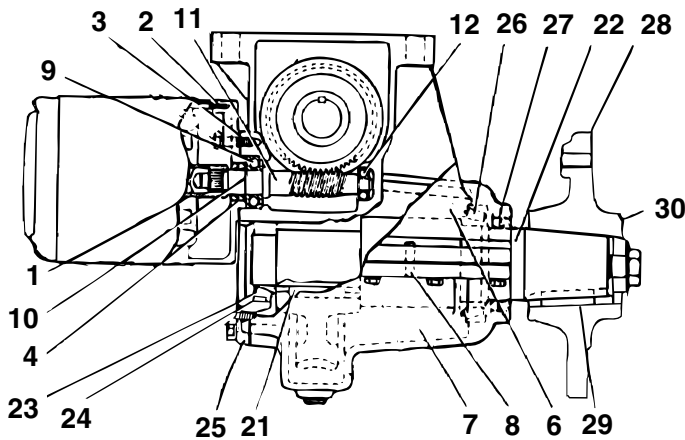
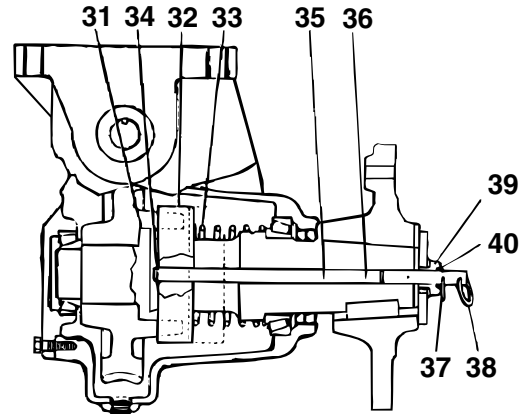
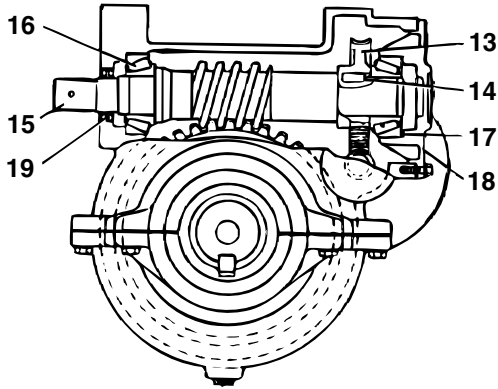


CENTER DRIVE PARTS

NI Replacement Parts for:

US 632 Gearmotor, Towable & Non-Towable



Item	NI Part #	Qty	Description
1	42028	1	Coupling, Splined-on
2	11009	1	Adapter, Bracket, US
3	908XX		Shim
4	91176	2	Seal, Oil, Input, US
5	670XX	1	Housing, Gear Case: GWC
	670XX	1	GWD (including Items 8 & 11)
6	670XX	1	Housing, Gear Case, Upper
7	670XX	1	Housing, Gear Case, Lower
8	850XX	1	Pin, Dowel
9	17024	1	Bearing, Ball
10	89803	1	Ring, Snap, 632
11	90217	1	Shaft, Worm, Primary: 47:1
	90213	1	Shaft, Worm, Primary: 58:1
12	17011	1	Bearing, Ball
13	60010	1	Gear, Worm, Primary: 47:1
	60014	1	Gear, Worm, Primary: 58:1
14	720XX	1	Key, Square
15	90206	1	Shaft, Worm, Final: Slave
	90218	1	Shaft, Worm, Final: Motorized
16	37030	2	Cone, Bearing, Roller
	44022	2	Cup, Bearing, Roller
17	908XX		Shim
18	67003	1	Housing, Bearing, 632
19	91136	2	Seal, Oil

Item	NI Part #	Qty	Description
20	60013	1	Gear, Worm, Final: Non-Towable
	60004	1	Gear, Worm, Final: Towable
21	720XX		Key, 1 Square less disconnect
22	90215	1	Shaft, Output: Non-Towable
	90210	1	Shaft, Output: Towable
23	37006	1	Cone, Bearing, Roller
	44025	1	Cup, Bearing, Roller
24	908XX	1	Shim
25	670XX	1	Housing, Bearing
26	37023	1	Cone, Bearing, Roller
	44013	1	Cup, Bearing, Roller
27	91140	2	Seal, Oil
28	68001	1	Hub, Wheel, Output, Cast
29	720XX	1	Key, Square
30	880XX	1	Plate, Clamping
31	908XX		Shim
32	899XX	1	Disconnect Bar
33	926XX	1	Spring
34	898XX	1	Ring, Snap
35	902XX	1	Shaft, Disconnect
36	898XX	2	O-Ring
37	850XX	1	Pin, Special
38	898XX	1	Ring, Special
39	200XX	1	Bolt, Hollow
40	91104	1	Seal, Oil